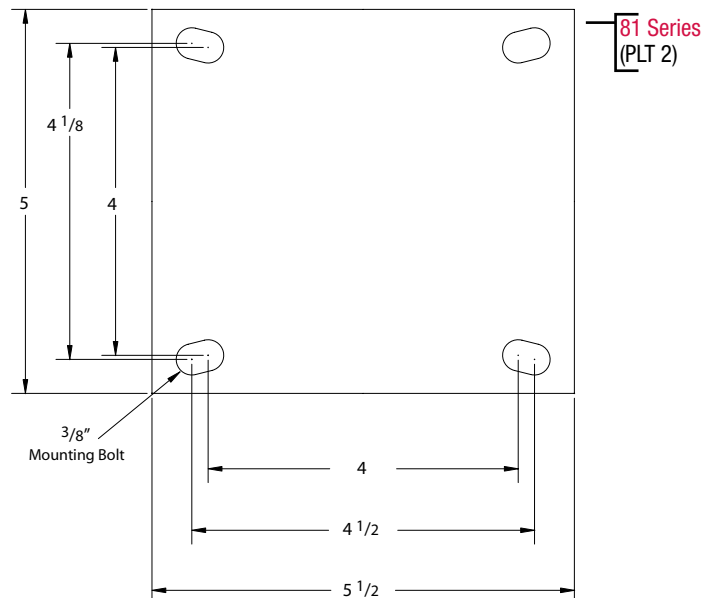
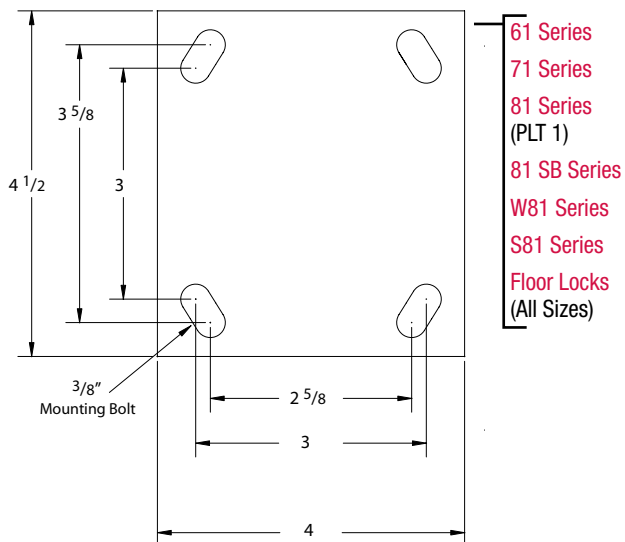
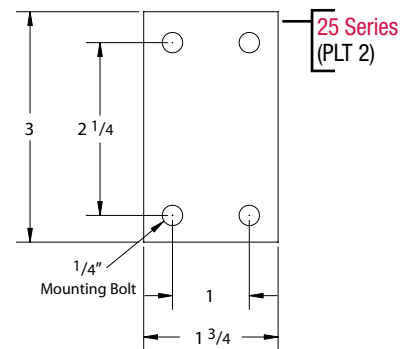
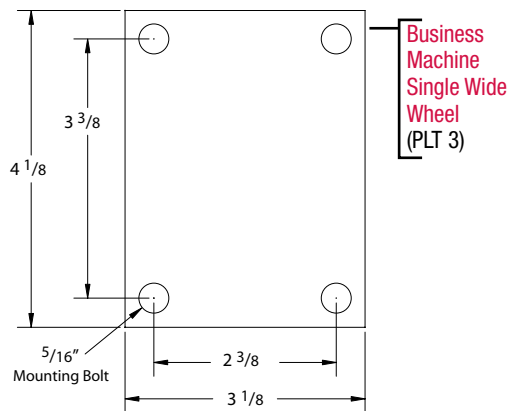
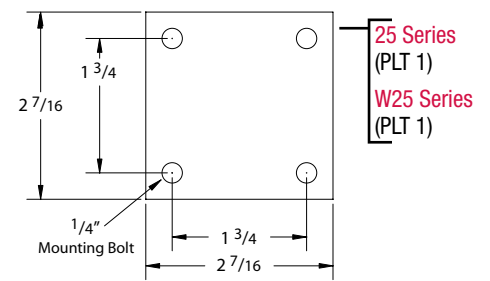
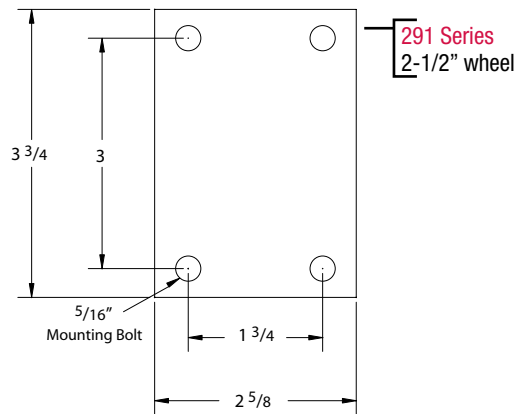
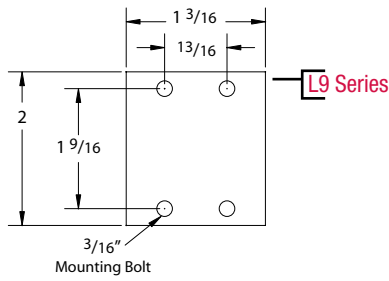


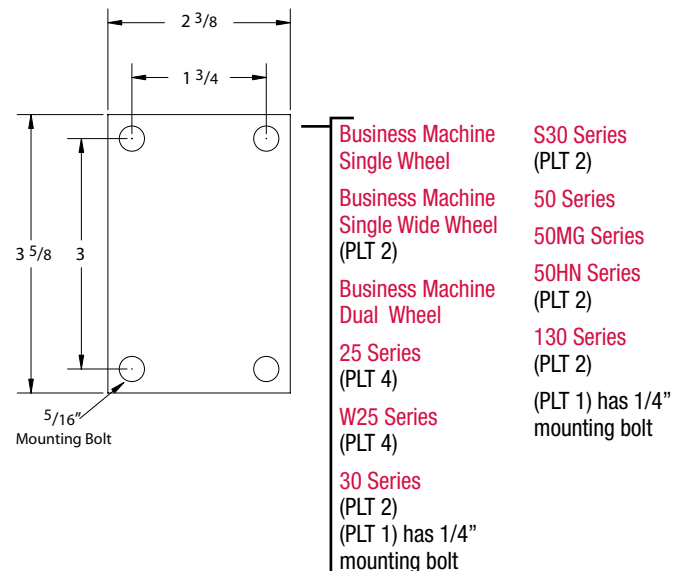
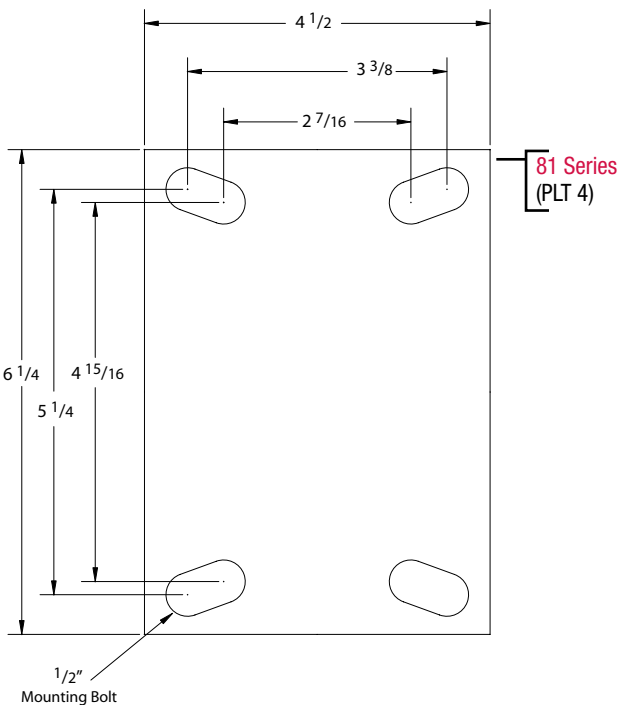
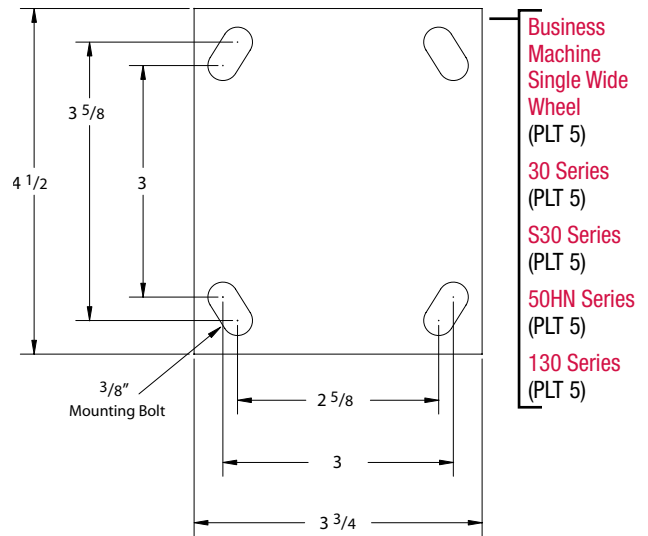
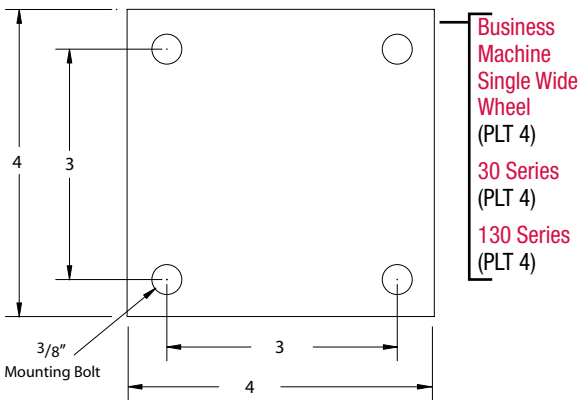
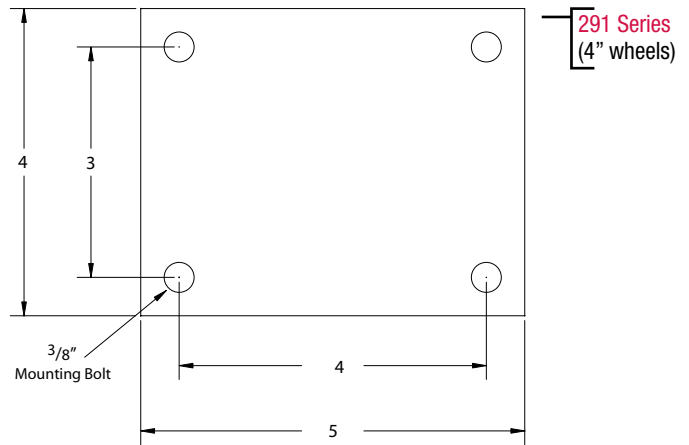
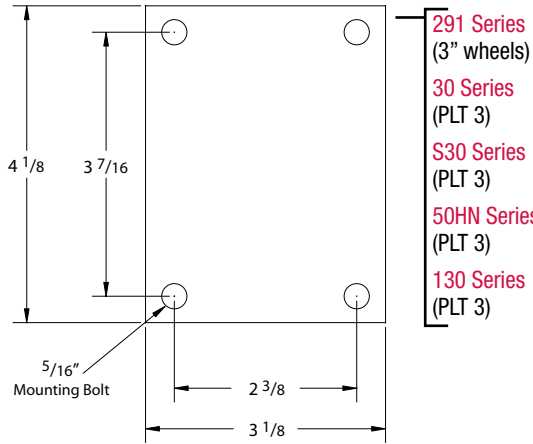
Top Plate Dimensions

Drawings are 40% scale reduction.



Top Plate Dimensions

Drawings are 40% scale reduction.



Top Plate Dimensions

Drawings are 40% scale reduction.

